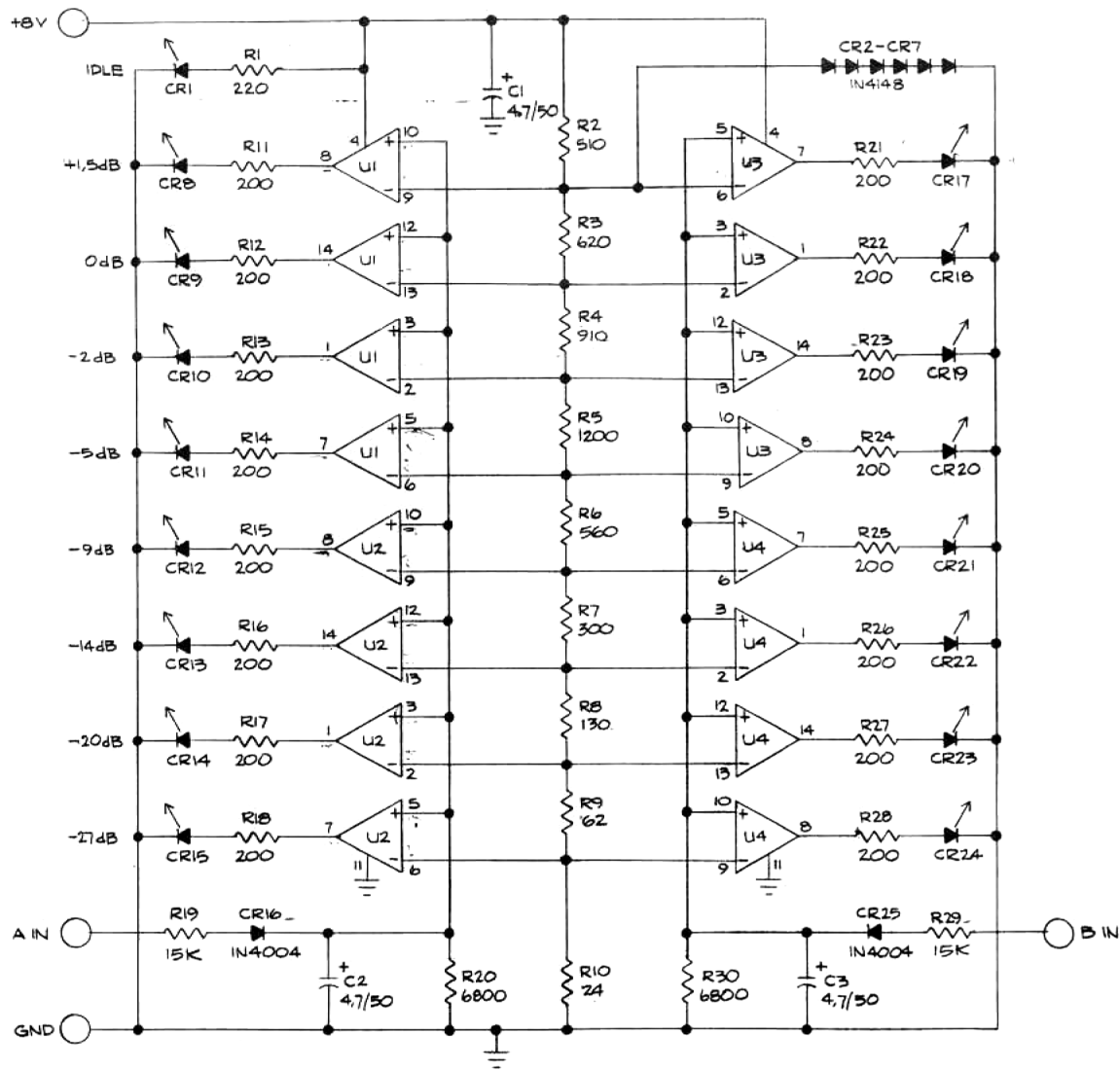


- NOTES:
5. \* = MATCHED RESISTORS.
  4. REFERENCE DESIGNATIONS: R7/R10T = CHA/CH B.
  3. THIS SCHEMATIC SHOWS CHA ONLY
  2. CAPACITORS IN UFD.
  1. RESISTORS IN OHMS, 1/4 W, 5%.

CONTRACT NO		DATE	
APPROVALS		DATE	
DRAWN		DATE	
CHECKED		DATE	
SIZE		CODE IDENT. NO.	DRAWING NO.
C		22-0166/0168	
SCALE		SHEET 1 OF 1	



2. CAPACITORS IN MICROFARADS.  
 1. RESISTORS IN OHMS, 1/4W, 5%.  
 NOTES

CONTRACT NO.			
APPROVALS	DATE		
DRAWN	BY	SCHEMATIC, LED DISPLAY	
CHECKED	NOV 17		
SIZE		CODE IDENT NO.	DRAWING NO.
C		3100	22-0167
SCALE		SHEET 1 OF 1	